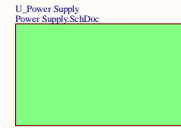
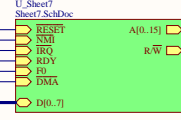
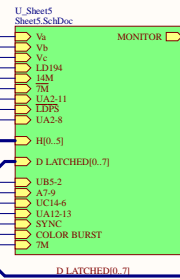
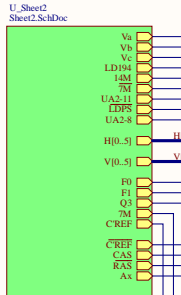
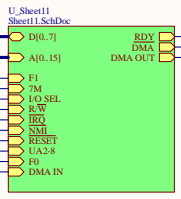
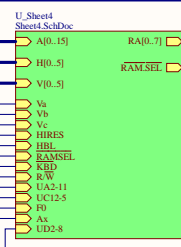
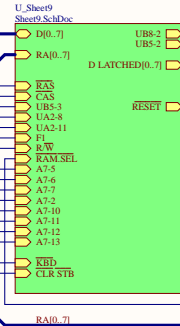
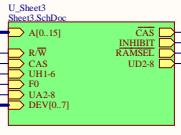
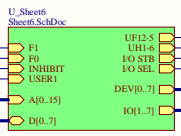
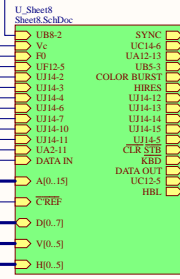
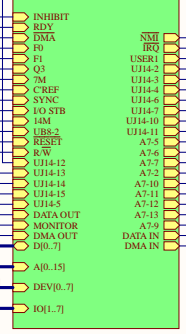
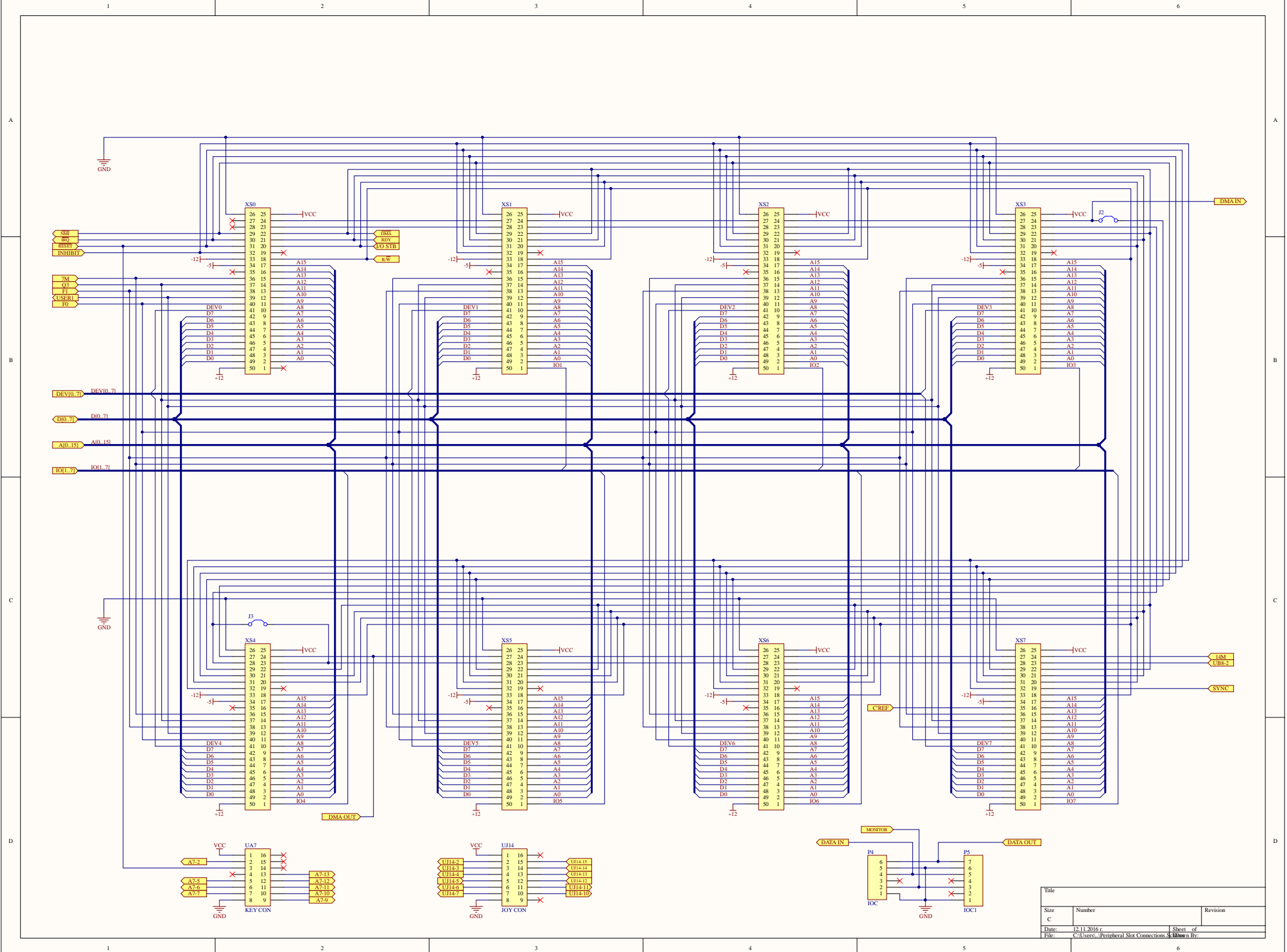


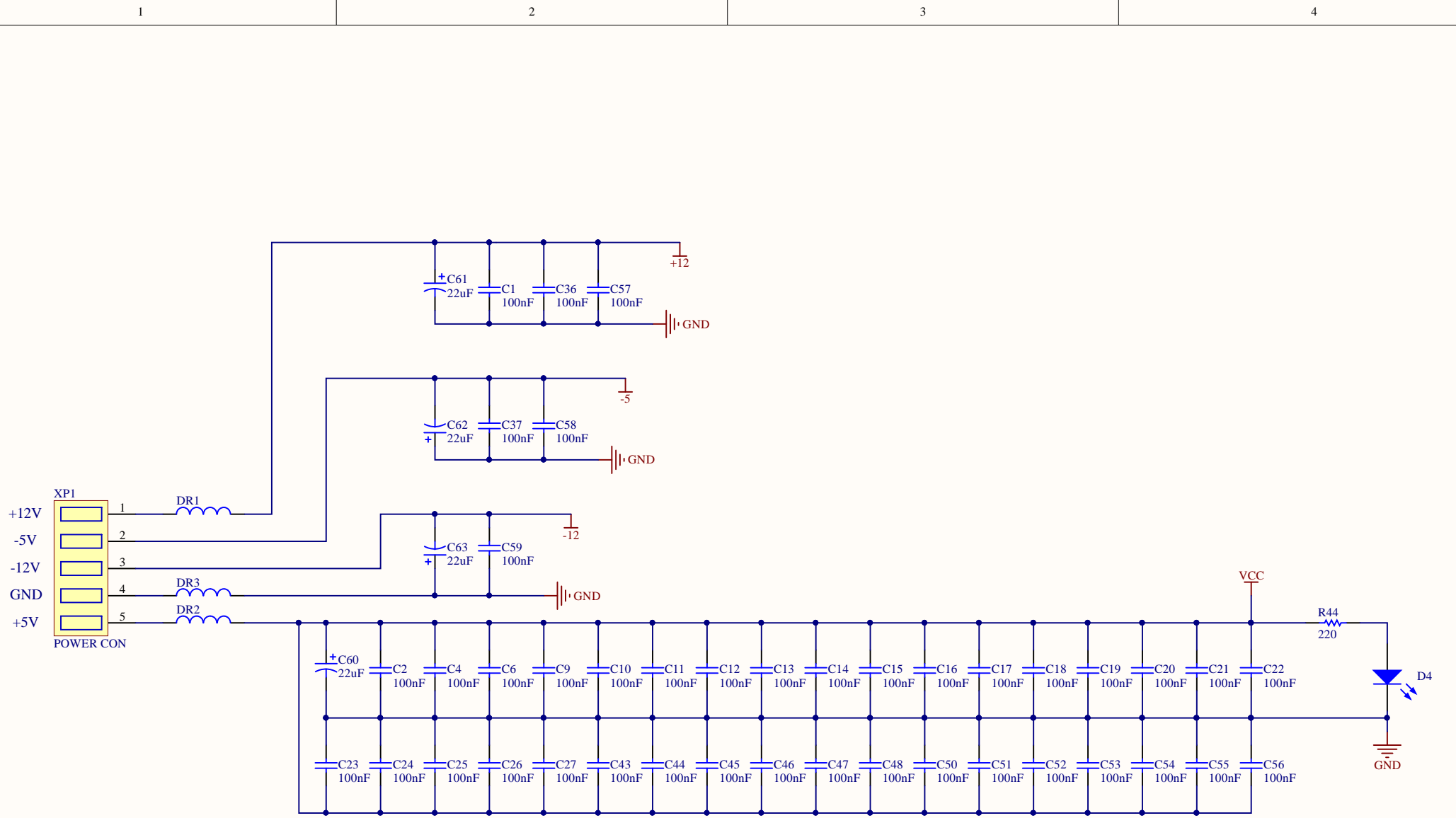
U_Peripheral Slot Connections
Peripheral Slot Connections.SchDoc



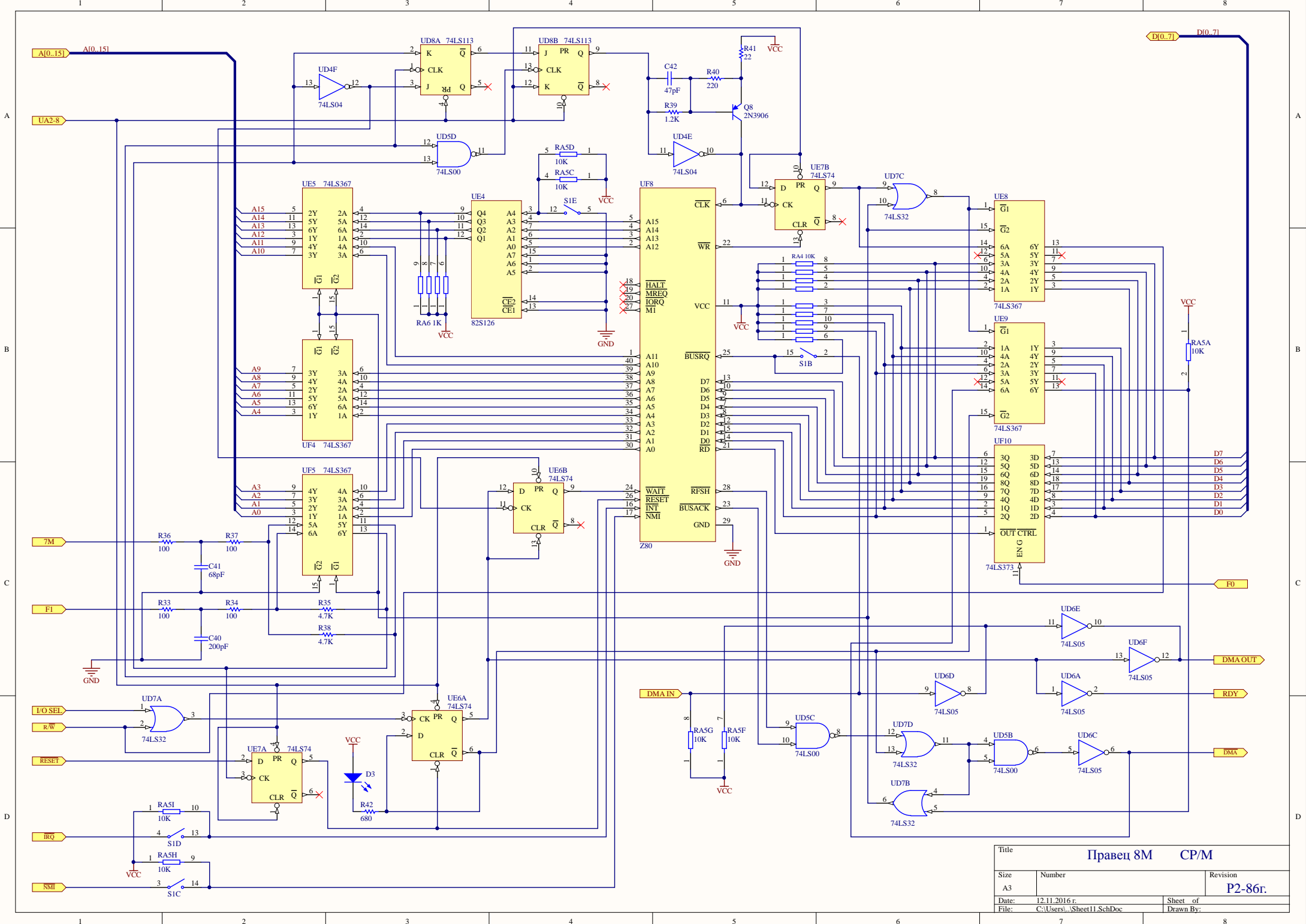
Title			Права 8М		
Size	Number	Revision		P2-86r.	
C					
Date:	12.11.2016 г.	Sheet of	Drawn By:		
File:	C:\Users\jherarchi\SchDoc				



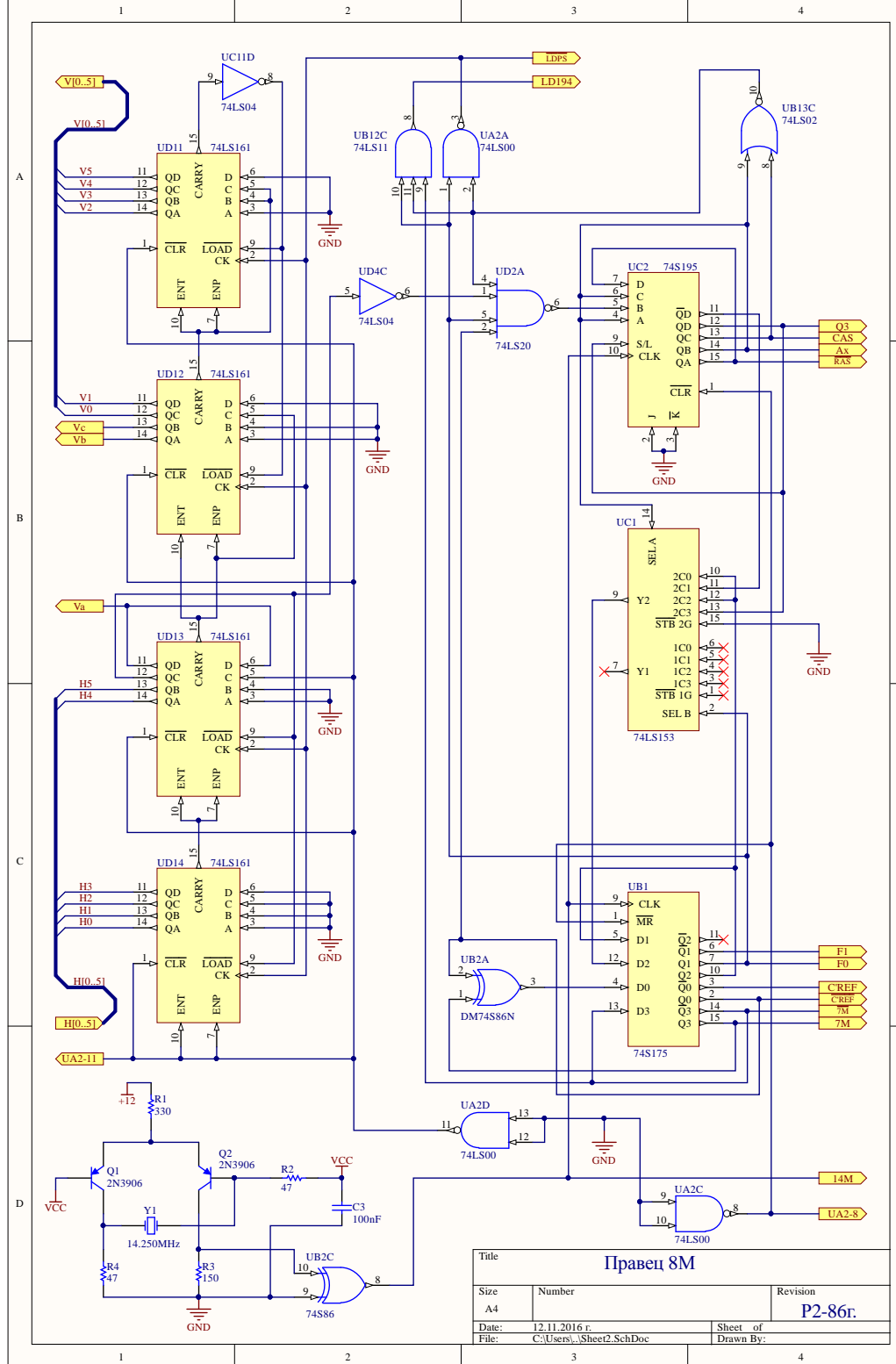
Title		
Size	Number	Revision
C		
Date:	12.11.2016	Sheet of
File:	C:\Users\Peripherals\Stor Connections & Headers By...	



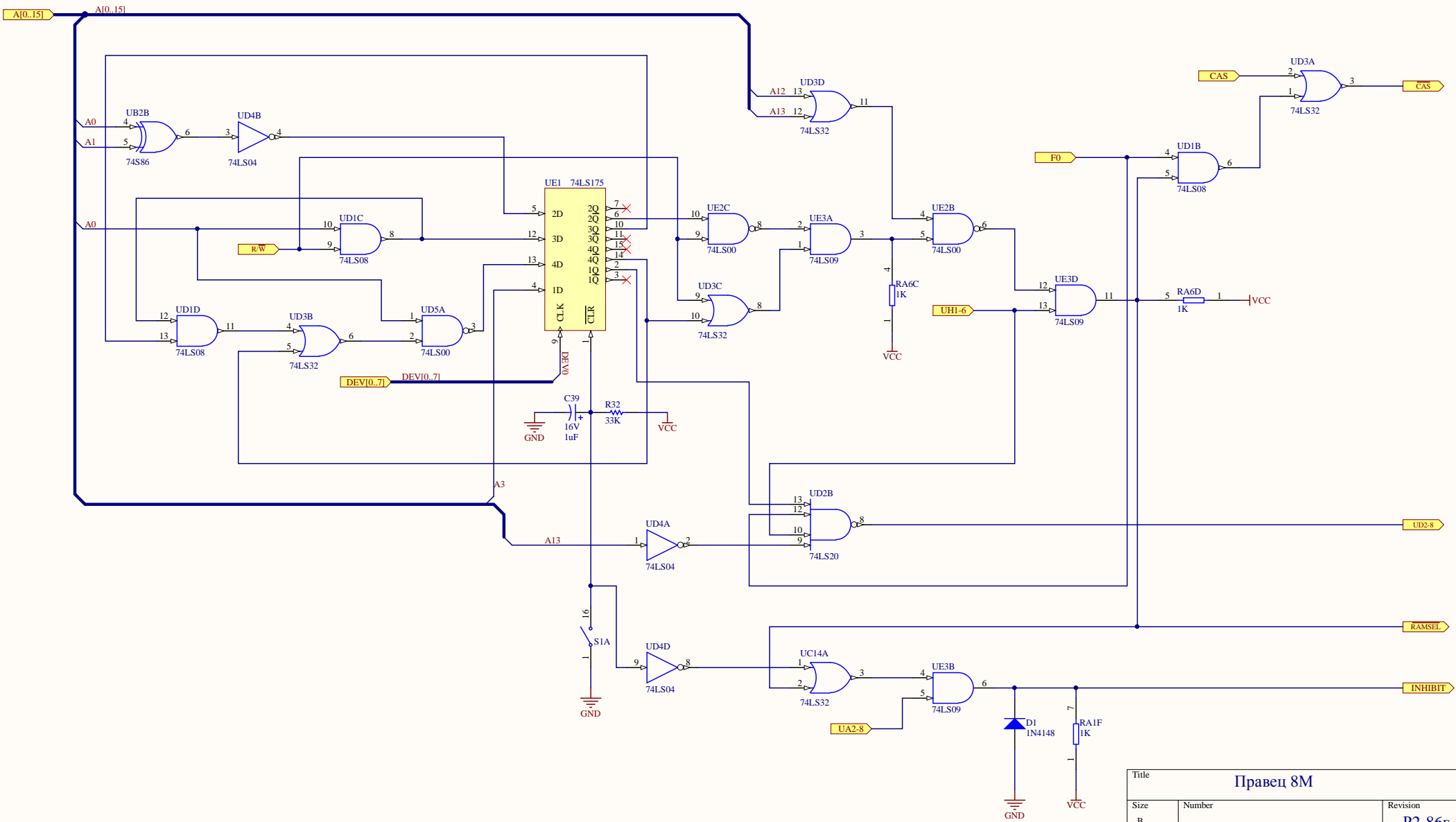
Title		
Size	Number	Revision
A4		
Date:	12.11.2016 r.	Sheet of
File:	C:\Users\...\Power Supply.SchDoc	Drawn By:



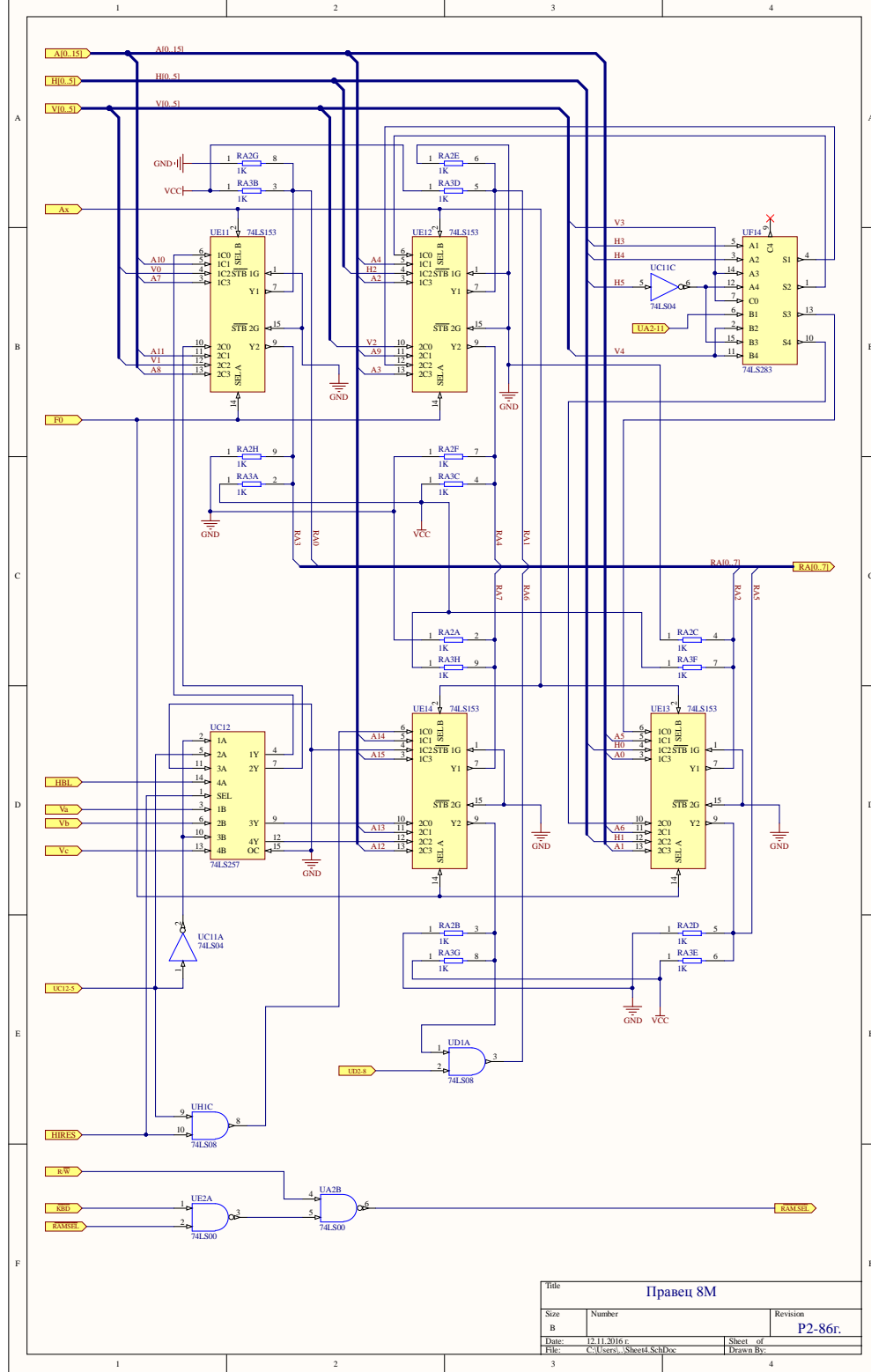
Title			Правец 8М CP/M		
Size	Number	Revision		P2-86r.	
A3					
Date:	12.11.2016 r.	Sheet of			
File:	C:\Users\...Sheet11.SchDoc	Drawn By:			



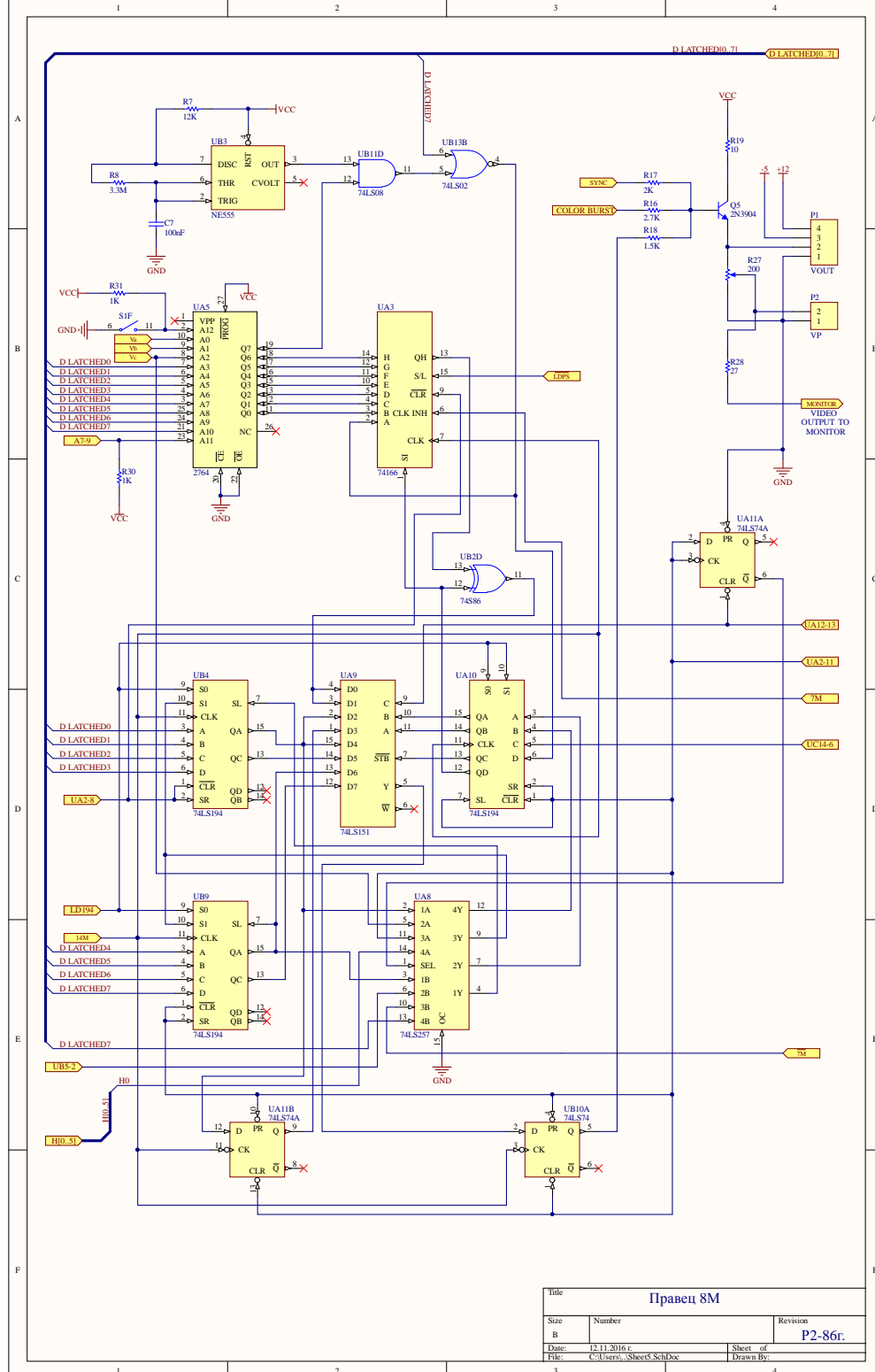
Title		
Правец 8М		
Size	Number	Revision
A4		P2-86r.
Date:	12.11.2016 г.	Sheet of
File:	C:\Users\...Sheet2.SchDoc	Drawn By:



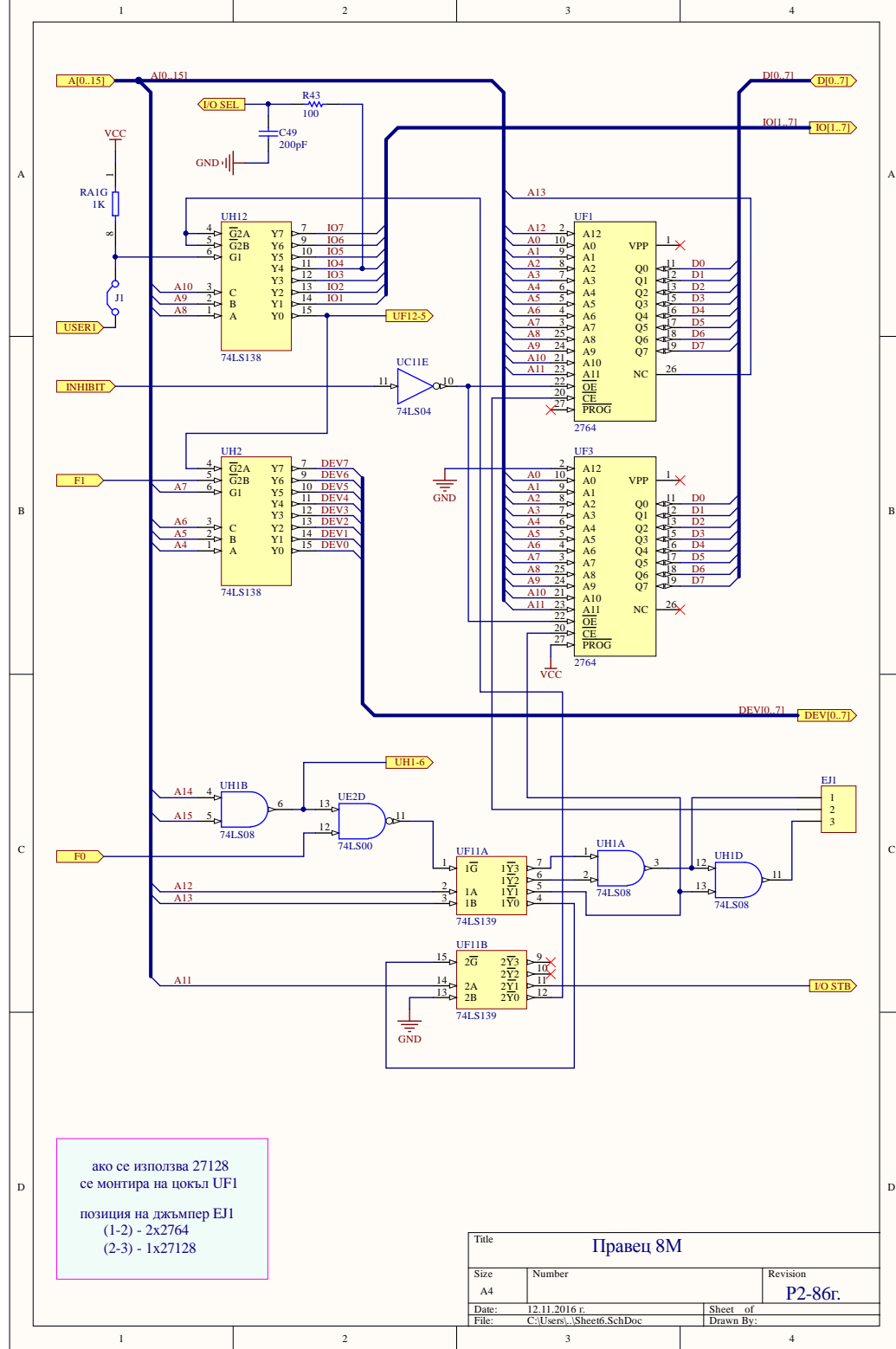
Title		Правец 8М	
Size	Number	Revision	
B		P2-86r.	
Date:	12.11.2016 r.	Sheet of:	
File:	C:\Users\...\Sheet3.SchDoc	Drawn By:	



Title			Проект 8М		
Size	Number	Revision			
B		P2-86r.			
Date:	12.11.2016 г.	Sheet of			
File:	C:\Users\...Sheet4.SchDoc	Drawn By:			

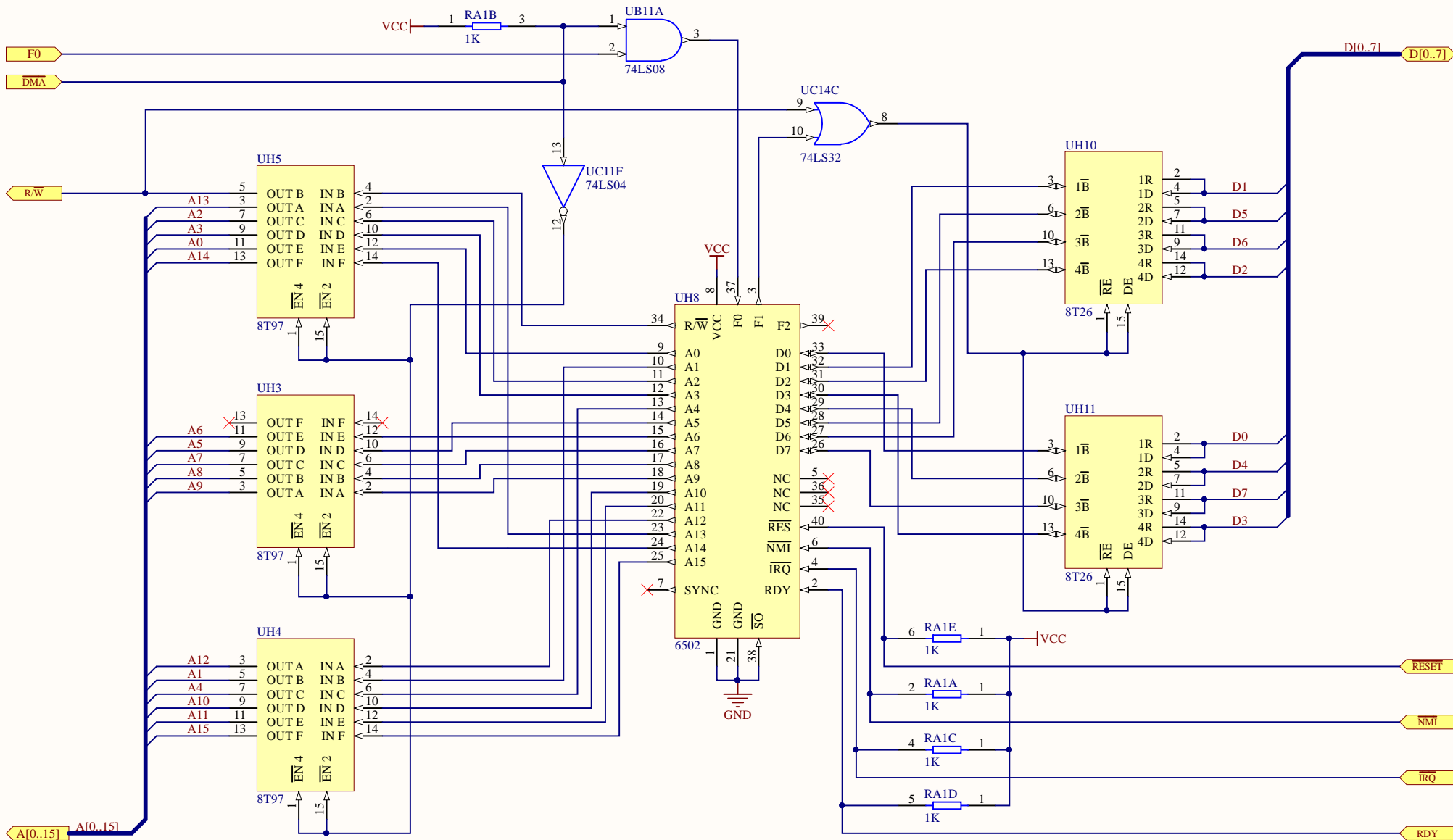


Title			Практик 8М		
Size	Number	Revision			
B		P2-86r.			
Date:	12.11.2016 г.	Sheet of			
File:	C:\Users\...Sheet5.SchDoc	Drawn By:			

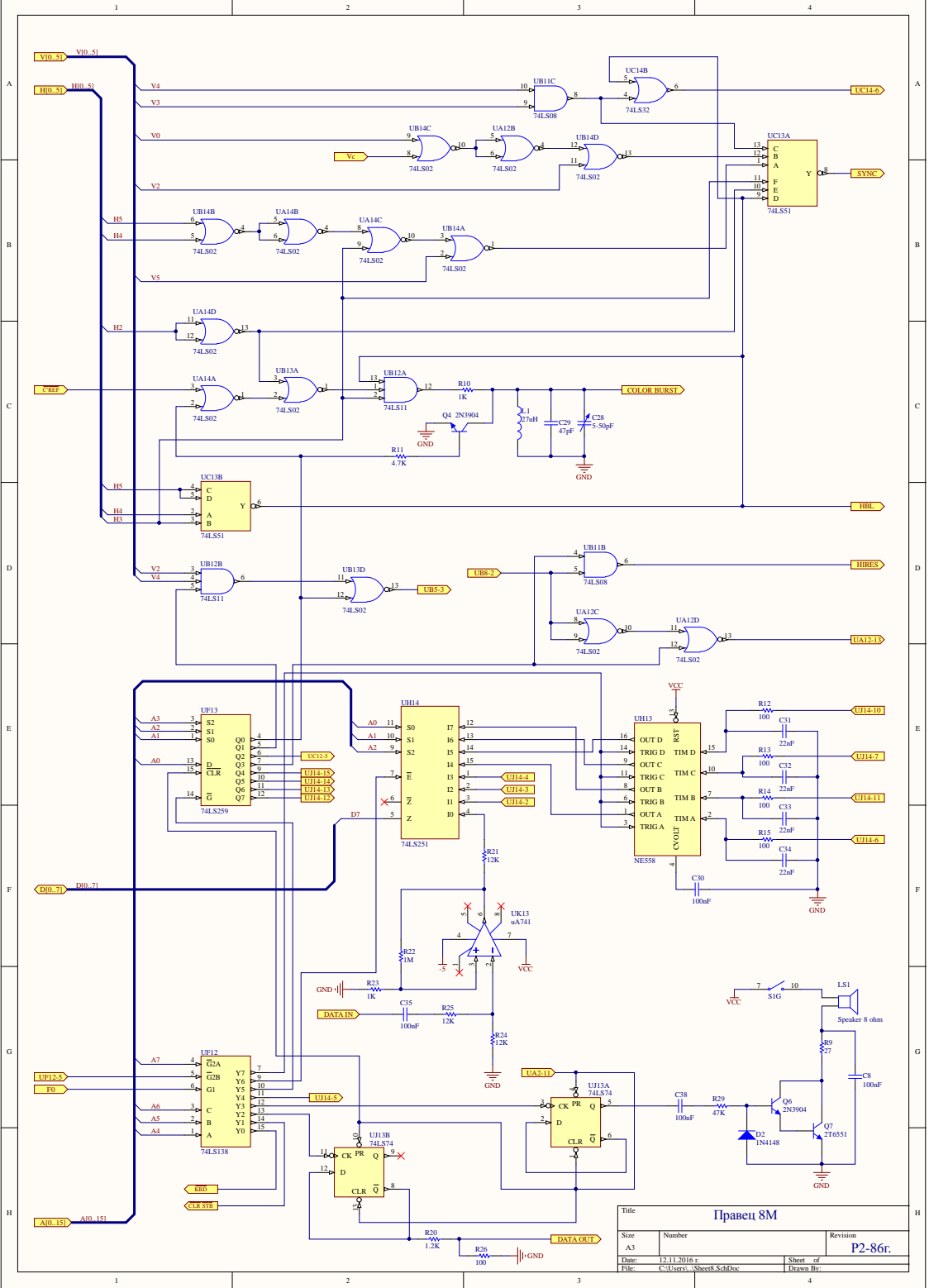


ако се използва 27128
се монтира на цокъл UF1
позиция на джъмпер EJ1
(1-2) - 2x2764
(2-3) - 1x27128

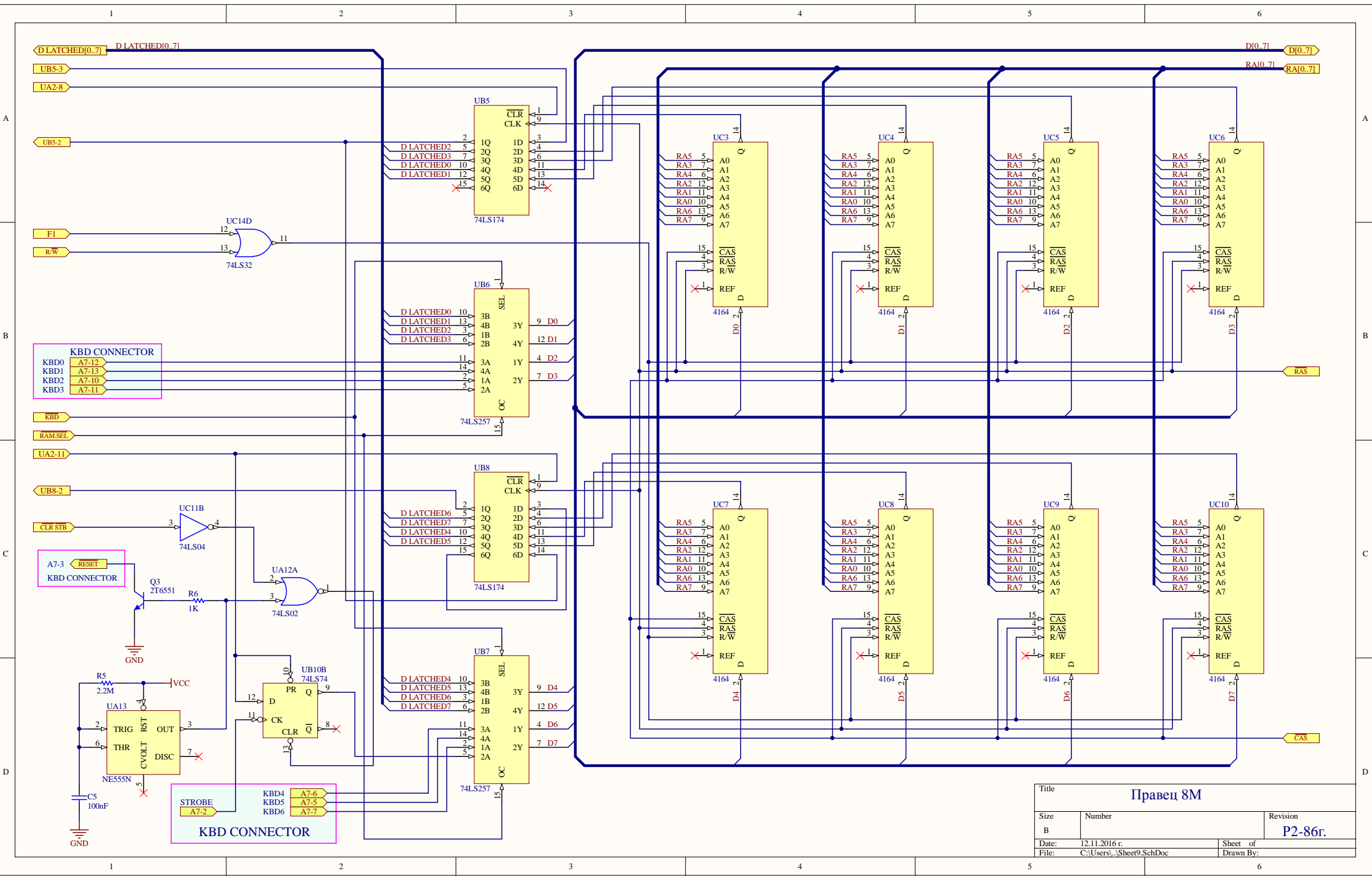
Title		
Правец 8M		
Size	Number	Revision
A4		P2-86r.
Date:	12.11.2016 г.	Sheet of
File:	C:\Users\...Sheet6.SchDoc	Drawn By:



Title			Правец 8М		
Size	Number		Revision		
A4			P2-86г.		
Date:	12.11.2016 г.		Sheet of		
File:	C:\Users\...\Sheet7.SchDoc		Drawn By:		

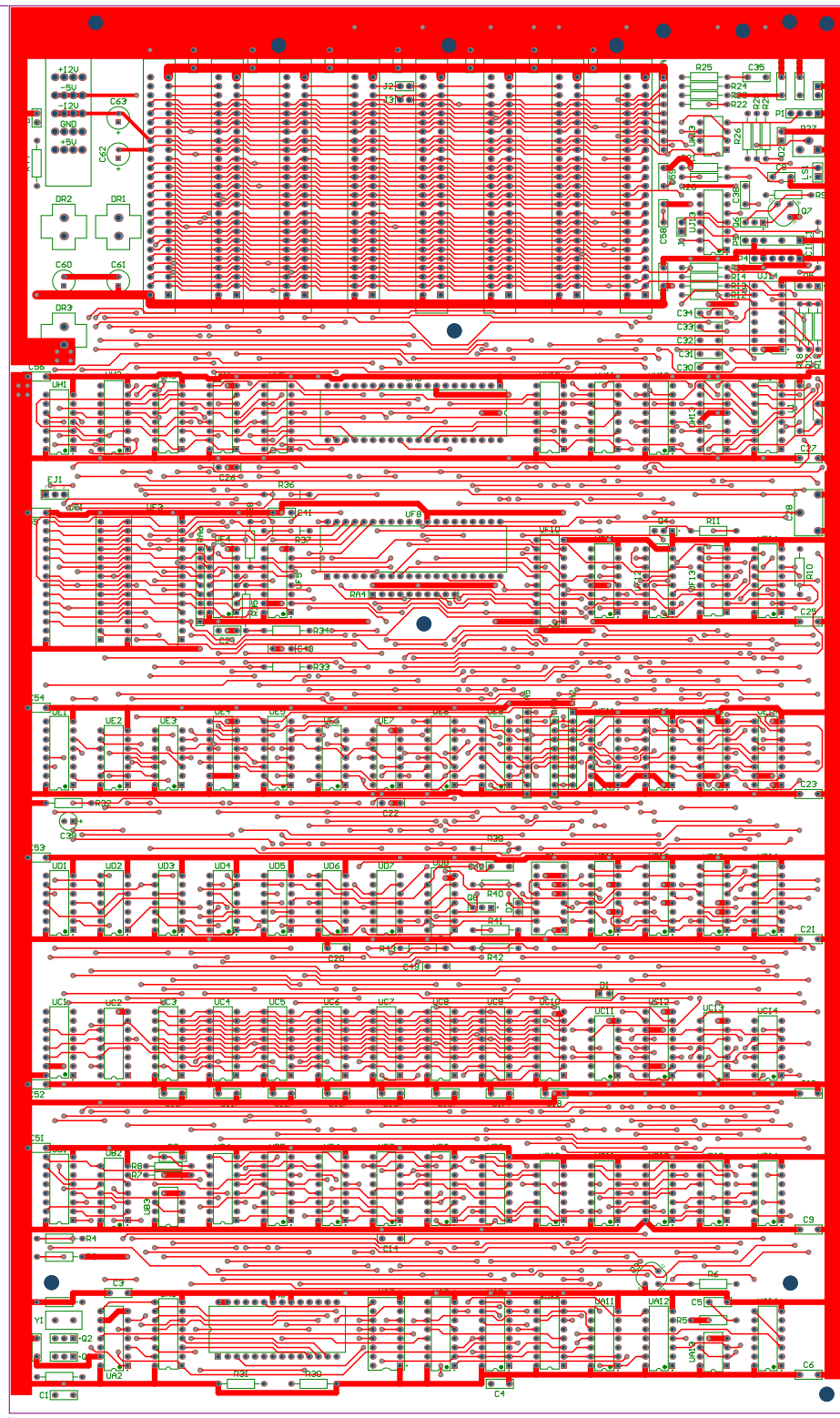


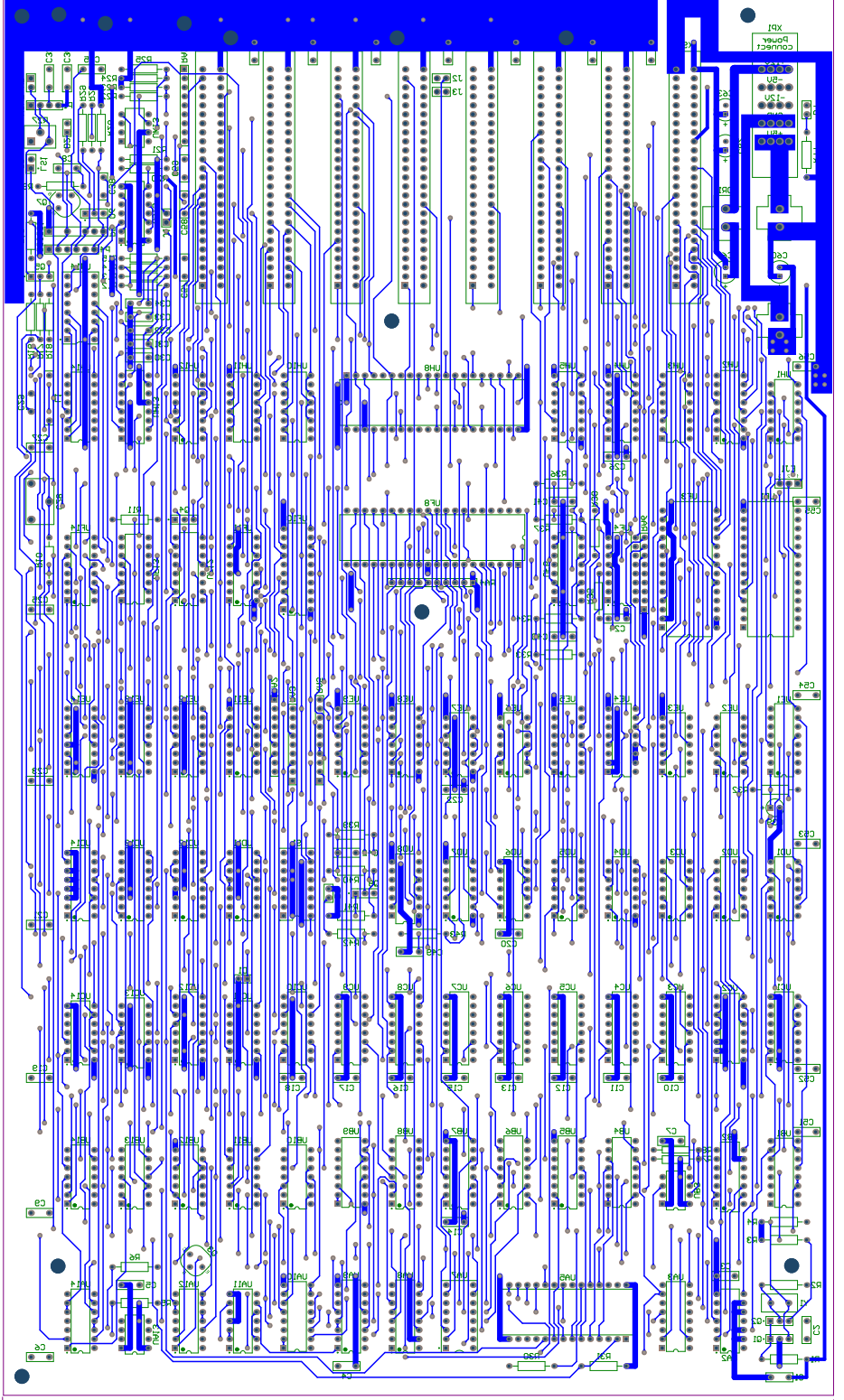
Title			Праец 8М
Size	Number	Revision	
A3		P2-86r.	
Date:	12.11.2016 г.	Sheet of	
File:	C:\Users\... Sheet8.SchDoc	Drawn By:	

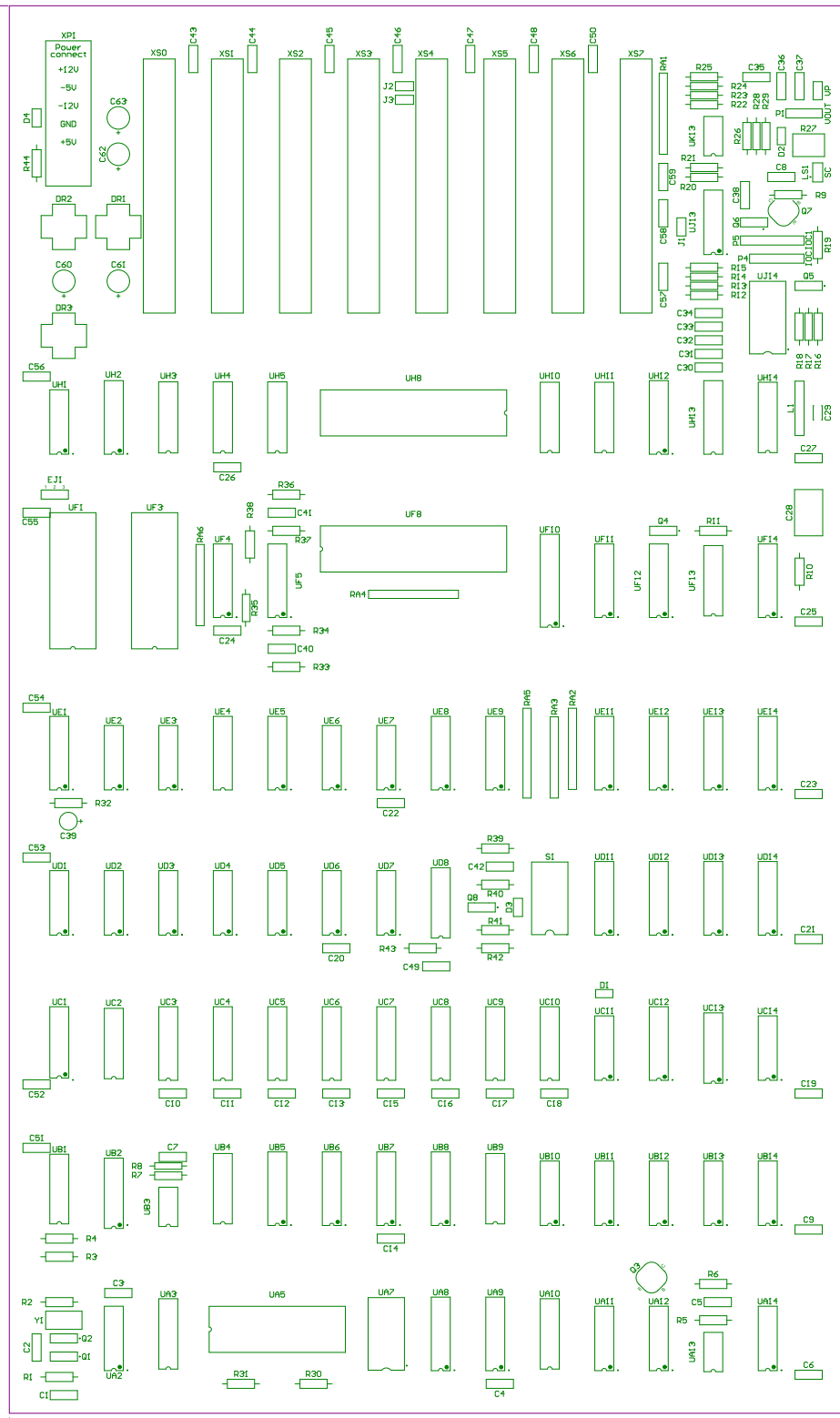


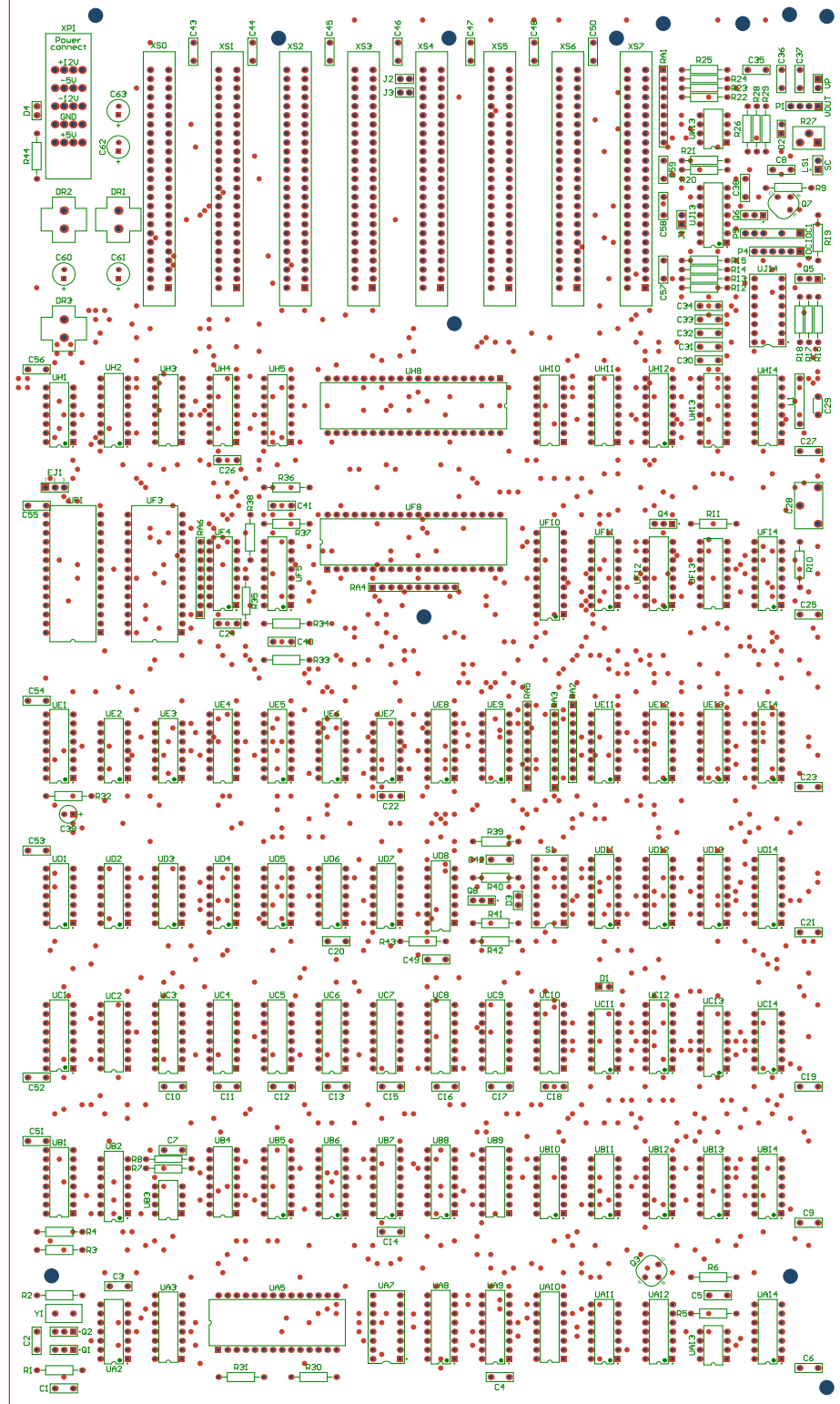
Title			Правец 8М		
Size	Number		Revision		P2-86r.
B					
Date:	12.11.2016 r.		Sheet of		
File:	C:\Users\...\Sheet9_SchDoc		Drawn By:		

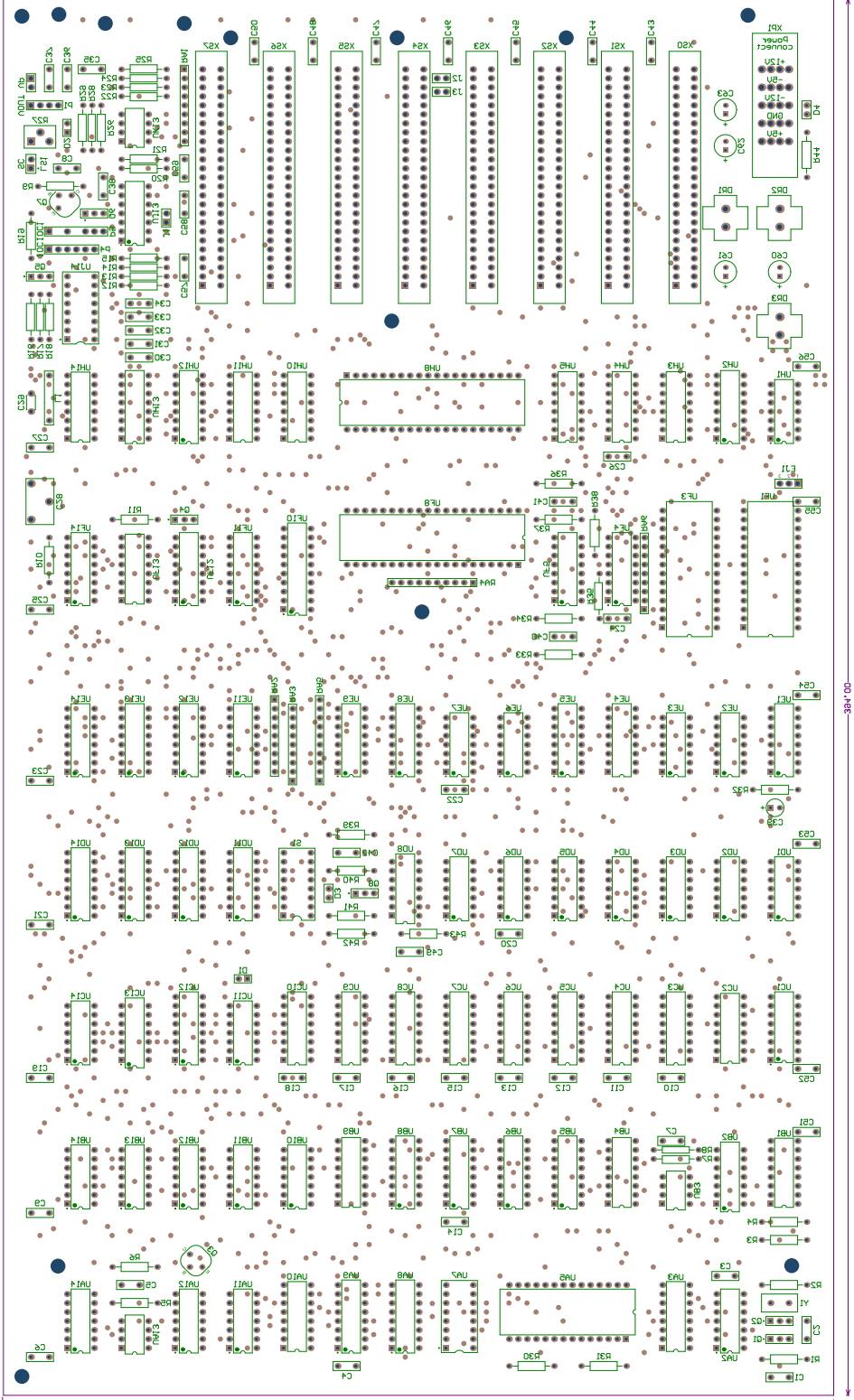
384.C0











00_1A86

384.00

234.06